

MFSTR-UCRAIL-144 Attachment System

Product Category	Cladding
Product Name	MFSTR-UCRAIL-144
Material	6005A-T61 Aluminum
Finish	N/A

Geometric Properties

Depth (Assembled)	1.125 in
Design Thickness	0.1196 in
11 Gauge Tolerance	+/- .007 in
Yield strength, Fy	35.0 ksi
Ultimate strength, Fu	38.0 ksi

Gross Section Properties of Full Section, Strong Axis

Cross section area (A)	0.605 in ^(^2)
Member weight per foot of length	0.712 lb/ft
Moment of inertia (Ix)	0.521 in ^(^4)
Radius of gyration (Rx)	0.928 in
Section Modulus (Sx)	0.386 in ^(^3)

Gross Section Properties of Full Section, Weak Axis

Cross section area (A)	0.605 in ^(^2)
Member weight per foot of length	0.712 lb/ft
Gross moment of inertia (Iy)	0.102 in ^(^4)
Gross radius of gyration (Ry)	0.410 in
Section Modulus (Sy)	0.146 in ^(^3)

Product Data & Ordering Information:

Stock length	12'-0" long pieces
Packaging	Custom Pallet
Packaging weight	Custom

ASTM & Code Standards:

- SDS Information is available by contacting zclip@monarchmetal.com

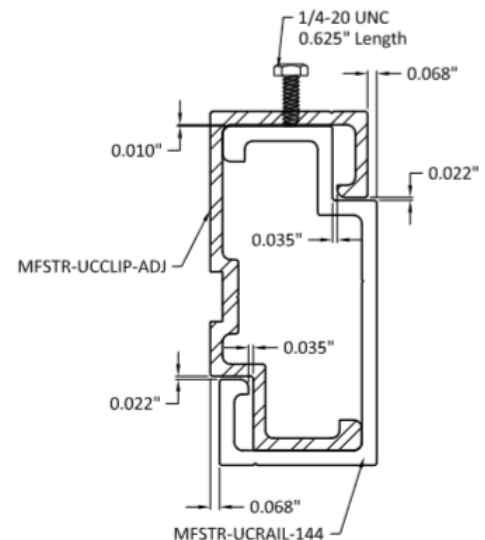
Allowable Spans for Brackets

- Allowable spans for brackets will depend upon the conditions of the installation including, but not limited to, the substrate the rails are attaching to, the panel composition, the fasteners selected and the wind conditions. Please consult a structural engineer for additional information.
- Monarch Metal provides typical as well as thermally isolated substructure.

Sustainability Credits:

For more details and LEED letters contact 631-750-3000

MFSTR-UCRAIL-144 Attachment System



Used in rain screen attachment applications:

- Concealed installation of stone, fiber cement, HPL or fiber concrete panels
- Highly corrosion resistant
- Adjust system for panel height after attachment

Project Information

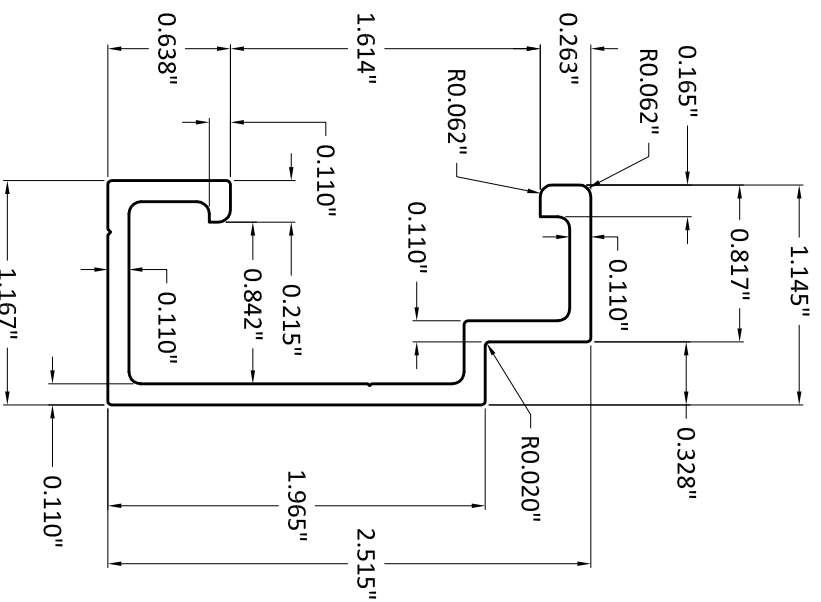
Name:
Address:

Contractor Information

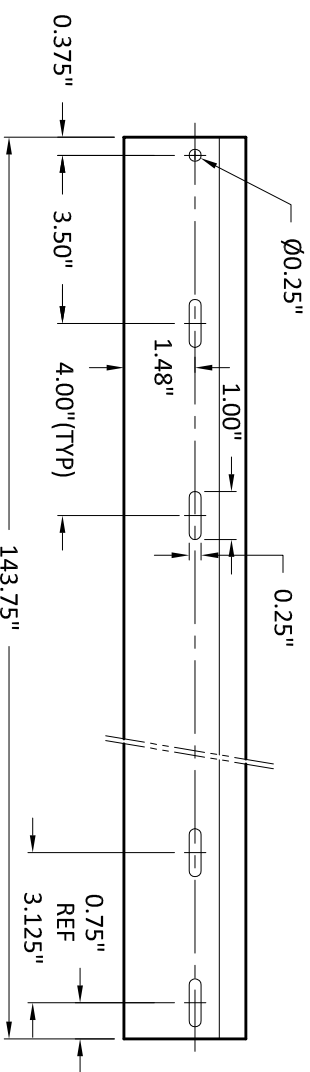
Name:
Contact:
Phone:
Fax:

Architect Information

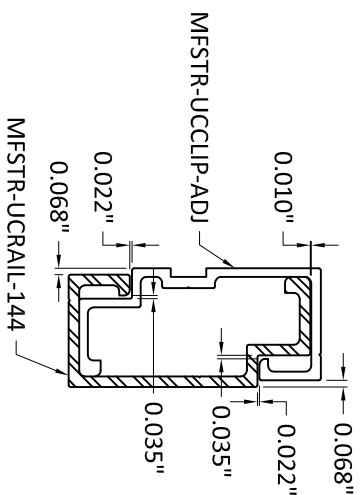
Name:
Contact:
Phone:
Fax:



SCALE 1:1

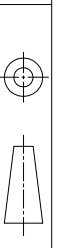


SCALE 1:4



SCALE 1:2

PROPRIETARY AND CONFIDENTIAL
 THE INFORMATION CONTAINED IN THIS DRAWING IS THE SOLE PROPERTY OF MONARCH METAL FABRICATION. ANY REPRODUCTION IN PART OR AS A WHOLE WITHOUT THE WRITTEN PERMISSION OF MONARCH METAL FABRICATION IS PROHIBITED.



MATERIAL: Aluminum
 FINISH: Black Powder Coat
 DO NOT SCALE DRAWING

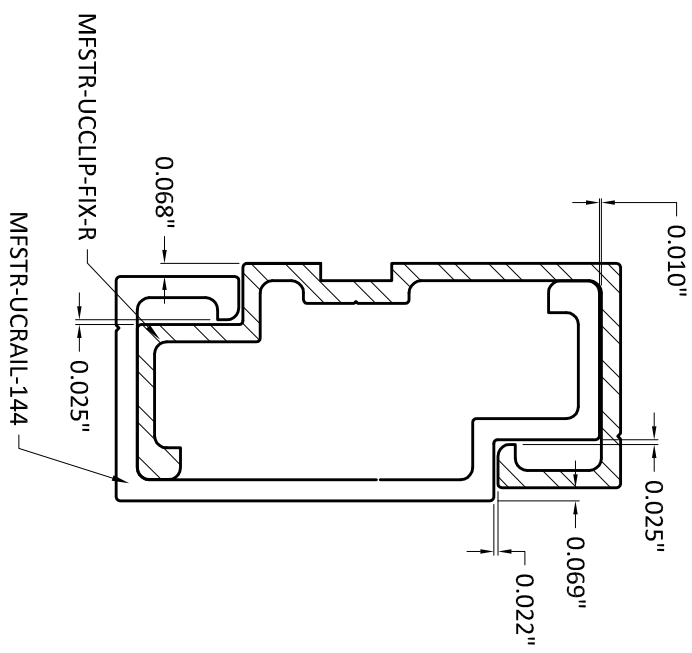
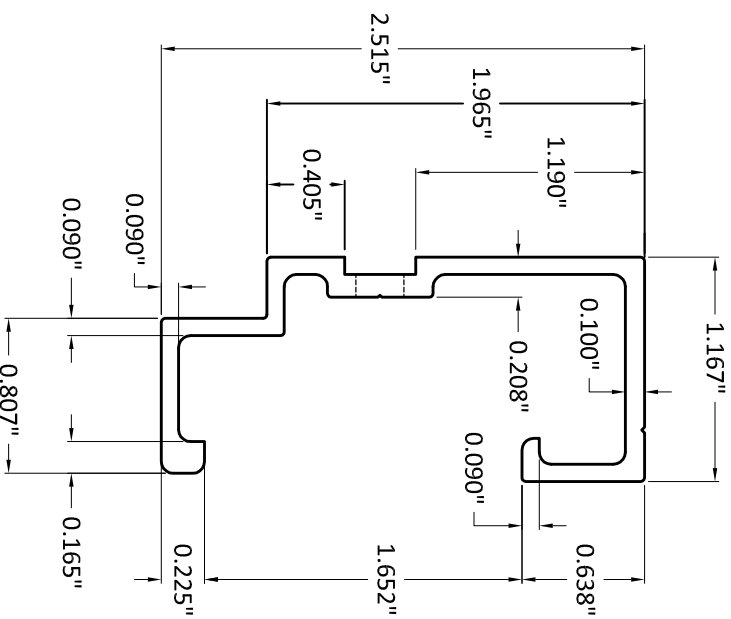
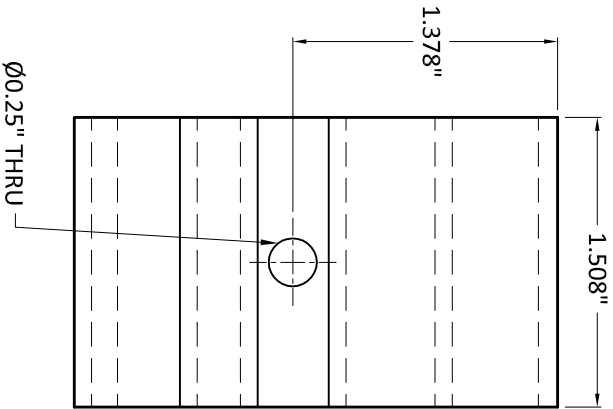
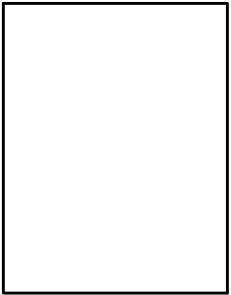
DRAWN	NAME	DATE
GURU		02/06/18
CHECKED	NAME	DATE
BB		



TITLE: MFSTR-UCRAIL-144-BK

SIZE	DWG. NO.	REV
A4	MFSTR-UCRAIL-144-BK	A

SCALE: 1:1, 1:2, 1:4 WEIGHT: ≈ 0.717 lbs/ft SHEET 1 OF 3



MFSTR-UCCCLIP-FIX

PROPRIETARY AND CONFIDENTIAL

THE INFORMATION CONTAINED IN THIS DRAWING IS THE SOLE PROPERTY OF MONARCH METAL FABRICATION. ANY REPRODUCTION IN PART OR AS A WHOLE WITHOUT THE WRITTEN PERMISSION OF MONARCH METAL FABRICATION IS PROHIBITED.



MATERIAL

6005A Aluminum

FINISH

Mill Finish

DO NOT SCALE DRAWING

DRAWN	CHECKED	NAME	DATE
GURU <td>BB <td></td> <td>01/04/19</td> </td>	BB <td></td> <td>01/04/19</td>		01/04/19



TITLE:

MFSTR-UCCCLIP-FIX

SIZE

A4

DWG. NO.

MFSTR-UCCCLIP-FIX

REV

A

SCALE: 1:1

WEIGHT: ≈ 0.09 lbs

SHEET 2 OF 3

Unless otherwise noted, all inside Radii: .062"
Unless otherwise noted, all Outside Radii: .020"

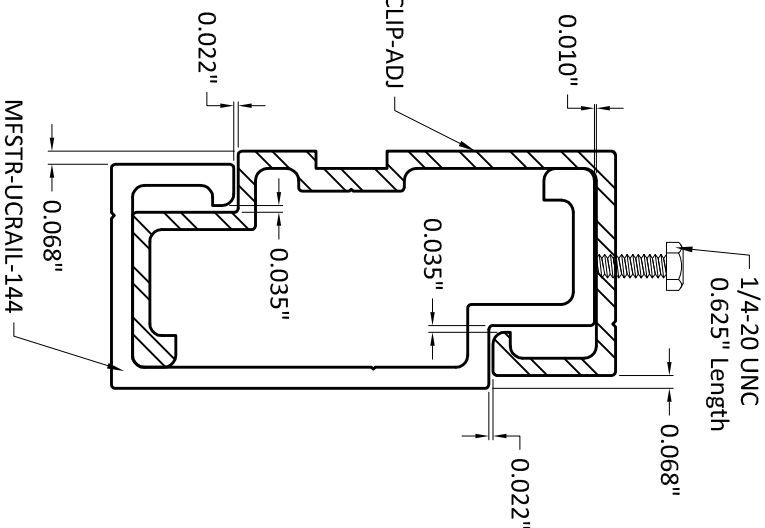
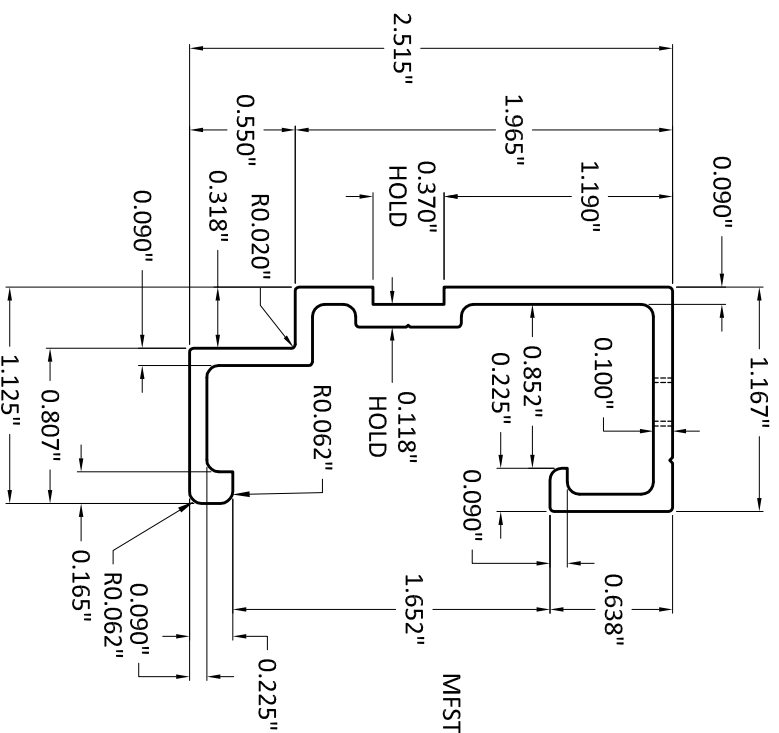
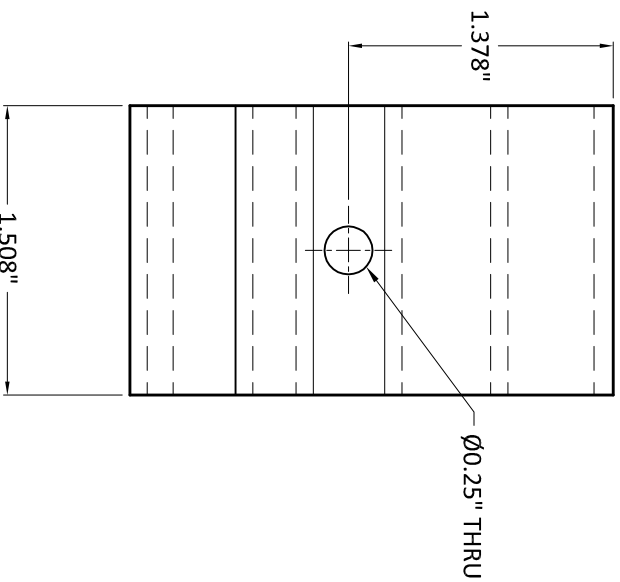
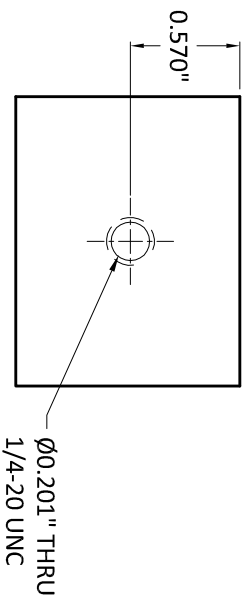
5

4

3

2

1



MFSTR-UCClip-ADJ

Unless otherwise noted, all Inside Radii: .062"
Unless otherwise noted, all Outside Radii: .020"

PROPRIETARY AND CONFIDENTIAL
THE INFORMATION CONTAINED IN THIS DRAWING IS THE SOLE PROPERTY OF MONARCH METAL FABRICATION. ANY REPRODUCTION IN PART OR AS A WHOLE WITHOUT THE WRITTEN PERMISSION OF MONARCH METAL FABRICATION IS PROHIBITED.

MATERIAL	6005A Aluminum
FINISH	Mill Finish

DRAWN	GURU	DATE	31/03/19
CHECKED	BB		

TITLE:		MFSTR-UCClip-ADJ	
SIZE	DWG. NO.	REV	
A4	MFSTR-UCClip-ADJ	A	
SCALE: 1:1	WEIGHT: ~ 0.10 lbs	SHEET 3 OF 3	

